

# F16

## IP65 Rated Outdoor Fingerprint Access Control Terminal



F16 is a fingerprint access control terminal with an integrated proximity reader (EM). It is IP65 rated which enables it to be resistant from water, dust and other outside damages. It can be installed easily on your network having both Ethernet and RS485 serial ports. Weigand-OUT port allows connection of reader to ZK or any 3rd party access control panels panel. Using Weigand-In port, you can connect to any card readers for authentication at both entrance and exit.

The PULL firmware and ZKAccess3.5 are the standard configurations which make F16 more versatile and powerful. Users can be registered on the device by the Management Card or through connecting with ZKAccess3.5 software by TCP/IP.



### Rugged Structure for Outdoor Installation and Extra Durability

- IP65 rated waterproof and dustproof structure



### Slim and Elegant Design

- One of the world's smallest fingerprint terminals
- Sleek and slim design for narrow spaces



### Fast and Accurate Fingerprint Algorithm

- 1 touch a-second user recognition
- Store 3,000 fingerprint templates, 30,000 cards and 100,000 transactions



### Easy Installation and Connectivity

- Wiegand input & output
- Network interface by TCP/IP or RS485



### Full Access Control Features

- Anti-passback
- Access control interface for 3rd party electric lock, door sensor, exit button, alarm



### For Software Developers

- Free PULL SDK and development tools are available for developers/partners

# Specifications

<b>Fingerprint Sensor</b>	ZK Optical Sensor
<b>Algorithm Version</b>	ZKFinger V10.0
<b>Communication</b>	TCP/IP, RS485
<b>Fingerprint Capacity</b>	3,000 Fingerprints
<b>Card Capacity</b>	30,000 Cards
<b>Log Capacity</b>	100,000 Transactions
<b>RF Card</b>	EM(standard)/Mifare(optional)
<b>Authentication</b>	Finger/Card
<b>Wiegand Signal</b>	Wiegand input&output
<b>Ingress Protection Rate</b>	IP65
<b>Operating Voltage</b>	12VDC 3A
<b>Operating Temperature</b>	0~ 45 °C (32°F ~ 113°F)
<b>Dimension</b>	62.5mm×185mm×41.5mm (W×H×D)

# Optional Accessories



FR1200



RFID Reader



Exit Button



Electric Lock

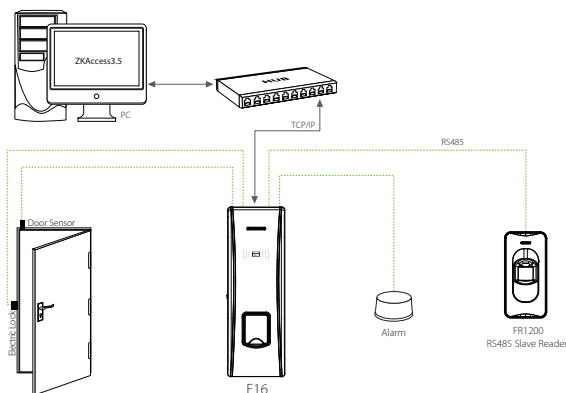


Alarm

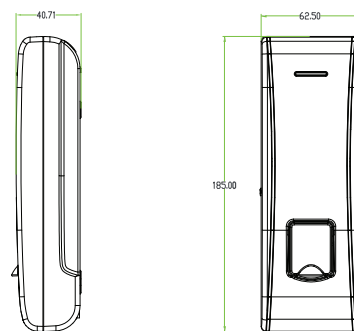


Sensor

# Configuration



# Dimensions (mm)



## ZKTeco Inc.

ZK Mansion, Wuhe Rd, Gangtou, Bantian, Buji Town,  
Longgang District, Shenzhen China 518129  
Tel: 86-755-8960 2345/46/47/48  
E-mail: sales@zkteco.com  
www.zkteco.com

## Global Offices:

USA: + 1 732-412-6007  
EU: +34 916532891  
Brazil: +55 31 2515-8326  
Thailand: +66-027199154  
Mexico: +52-55-52928418

South Africa: +27 12 259 1047  
Egypt: +201110444134  
Dubai: +971 4 6091 310  
India: +91 8123536788  
Indonesia: +62 21 2921 8949

Vietnam : +84-0169-5813007  
Philippines: +63 9084118832  
Russia: +8 915 178-46-81